



The 18<sup>th</sup> Annual

# Florida Lineman Competition

## Journeyman Team Events



## 4KV Pole Transfer - Conductor, Transformer & Switch

Chief Judge: Paul Bailey, City of Tallahassee

**Mean Time:** 15 minutes

**Drop Dead Time:** 18 minutes

### Event Summary:

At the start of this event the designated groundman for the team will be required to toss a rope (3/8 inch) over the neutral & secure it with three (half hitches) on an anchor head located 20 ft. from the pole before the first climber is allowed to ascend the pole. (note: - the 3/8 rope will be provided) The groundman will have three chances to successfully toss the rope. If he fails to do so in three tries there will be a two point deduct and the event will continue. Teams will be required to transfer all conductors, transformer, & switch to the new pole. Both poles will be framed, teams will not strip out the old pole. Poles will be set 4' apart. The transformer must be lowered to the ground and raised to position on the new pole utilizing a minimum of 2 to 2 block sheaves (transformer weights 225 lbs). There will not be any secondary's in the transformer, however teams will need to follow proper procedures to de-energize the transformer to transfer it then energize it once transferred.

Rope toss, once both lineman have belted off in working position the groundman may remove the rope. The rope will be hand coiled and on the tarp before time is stopped (before last climber's first foot hits the ground). If the rope isn't hand coiled and on the tarp before then it will be a 2pt deduct.

Primary and Neutral #2 Alum. and all Copper #4 solid

### Event Specifications:

1. Teams will have five minutes to set up before the start of the event.
2. Time will start at the judge's signal.
3. First climber can start climbing once the groundman has secured the rope toss with three half hitches.
4. Neutral must be covered before climbing above it.
5. Primary must be untapped from below the neutral.
6. All connections must be brushed.
7. Two points of control must be maintained when moving the phase conductor.
8. Time will stop when the last climber's first foot hits the ground.
9. During the rope toss if the rope goes over the phase there will be a 10 point deduct. No deduct if the rope strikes the phase.
- 10.

### Materials provided:

- 3/8-inch single braid rope
- Neutral Preform Tie Wrap
- Hendrix HPI-VT – (TONKA TOY Insulator) - Primary Insulator

**Teams will provide their own tools.**



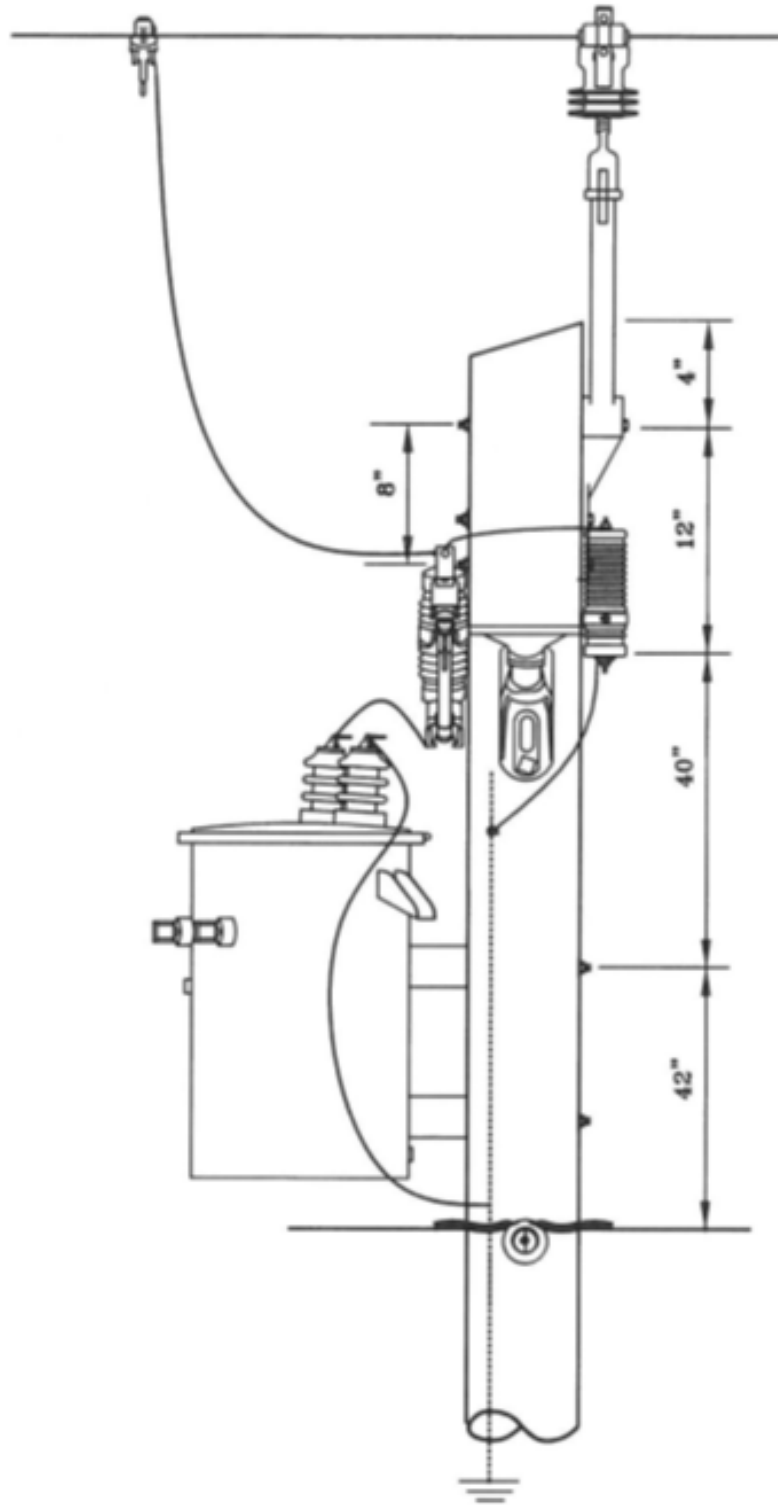
The 18<sup>th</sup> Annual

# Florida Lineman Competition

Journeyman Team Events



## 4KV Pole Transfer - Conductor, Transformer & Switch



SIDE VIEW