



The 18th Annual Florida Lineman Competition

Journeyman Team Events



4kV Four Bell Change Out

Chief Judge: Richard Boley, OUC

Mean Time: 16 minutes

Drop Dead Time: 21 minutes

Event Summary:

This event is a 4kV-simulated energized event (rubber gloves). The primary is #2 Alum. with 4# CU over arm jumpers on an 8' fiberglass cross arm. This will be a 2 wire 4kv event no center phase. The objective is to change all 4 dead-end insulators under the mean time in a professional and safe manner. Continuity must be maintained with the "over arm jumper" or by means of a temporary jumper. Adequate covering must be used to protect from violating safe encroachment distances, accidentally energizing hardware, pole, and or cross arms. Tools used for this event must be approved live line tools. Rated for 4kV or above.

*Note the drawing shows wood arms and braces it will be fiberglass arms no braces.

Event Specifications:

1. See General Rules.
2. Teams will be allowed a five minute set up time for questions and set up.
3. Both sides of neutral and clevis must be covered.
4. If temporary jumper is used it must have approve rated cover for 4kv or more.
5. Only approved live line tools can be used to rig conductor.
6. Rigging not rated for energized work must be insulated from primary voltage.
7. Permanent jumper must be covered while changing dead-end insulators.
8. Pins must be facing pole and can be checked before the 5 minute set up time.



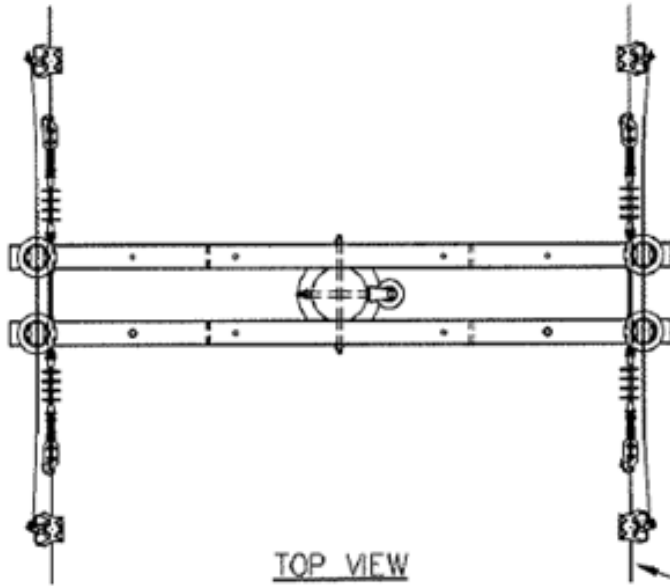
The 18th Annual

Florida Lineman Competition

Journeyman Team Events

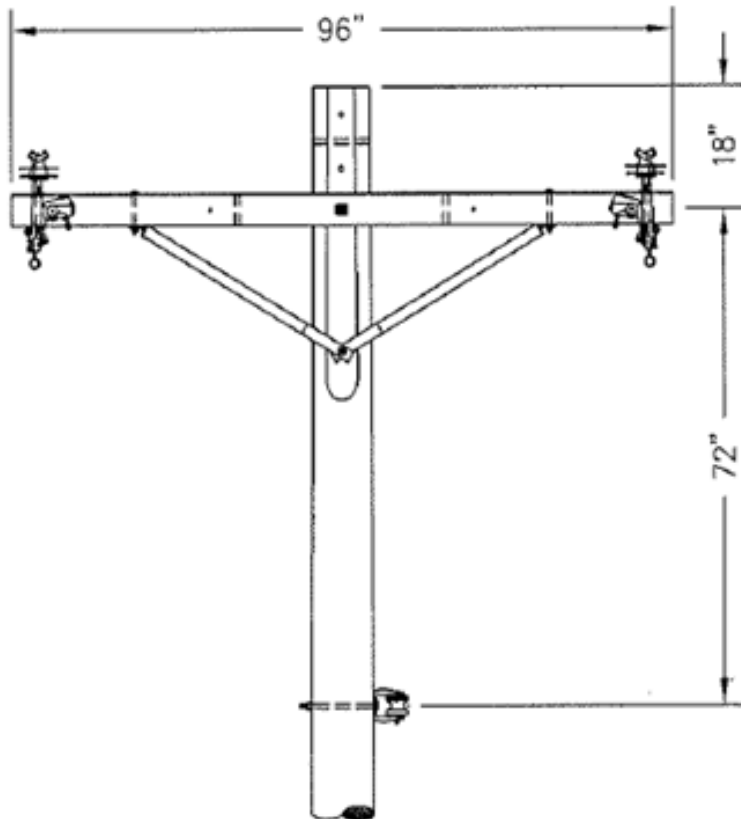


4kV Four Bell Change Out

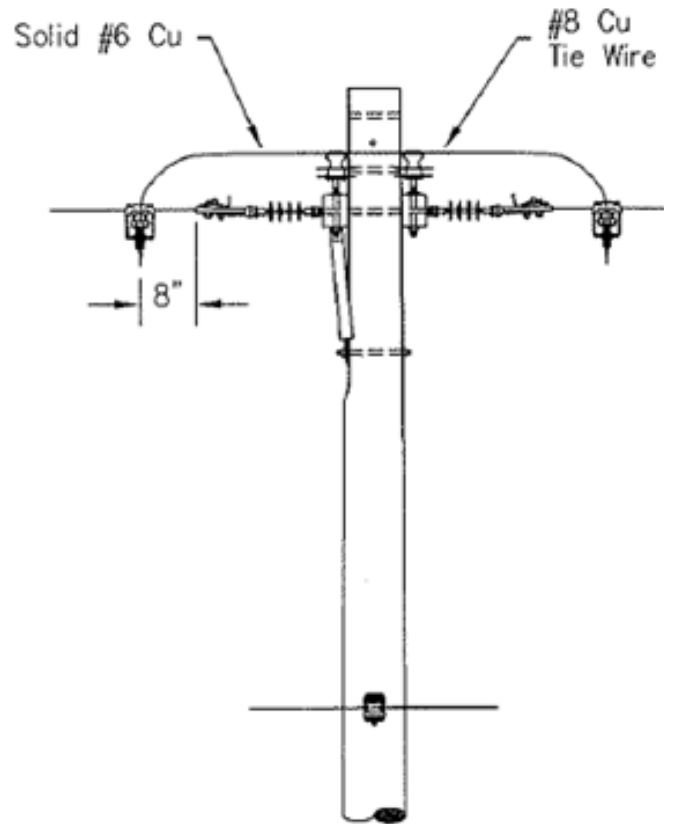


TOP VIEW

#2 ACSR



FRONT VIEW



SIDE VIEW