



The 18th Annual

Florida Lineman Competition

Apprentice Events



Double Dead-end Multiskirt Changeout

Chief Judge: Leonard Holton, JEA

Mean Time: 8 minutes

Drop Dead Time: 12 minutes

Event Summary:

This is a dead and grounded event. The construction Spec will be single-phase straight-line double dead-end. There will be a jumper across the top of the pole, tied in on the pole top pin. The Apprentice will change out both multiskirts.

Event Specifications:

1. The line will be #2 Alum. and a #4 Copper jumper.
2. Web hoist with grip/grips must be used (strap cannot be put in a position that could damage it).
3. The apprentice will have a 5-minute set up time. In this time the apprentice can prepare materials and ask any questions.
4. Apprentice is required to bring and use their own handline, hoist, nose bag and tools. No straight lines will be allowed.
5. All material will go up and down in a nose bag.
6. Time starts at the judge's signal.
7. Apprentice is required to transition over the neutral.
8. Time stops when the apprentice has both feet on the ground.
9. After time has stopped, fall protection will be checked before the apprentice unbuckles from the pole.
10. All PPE must be worn when you are at the event station.



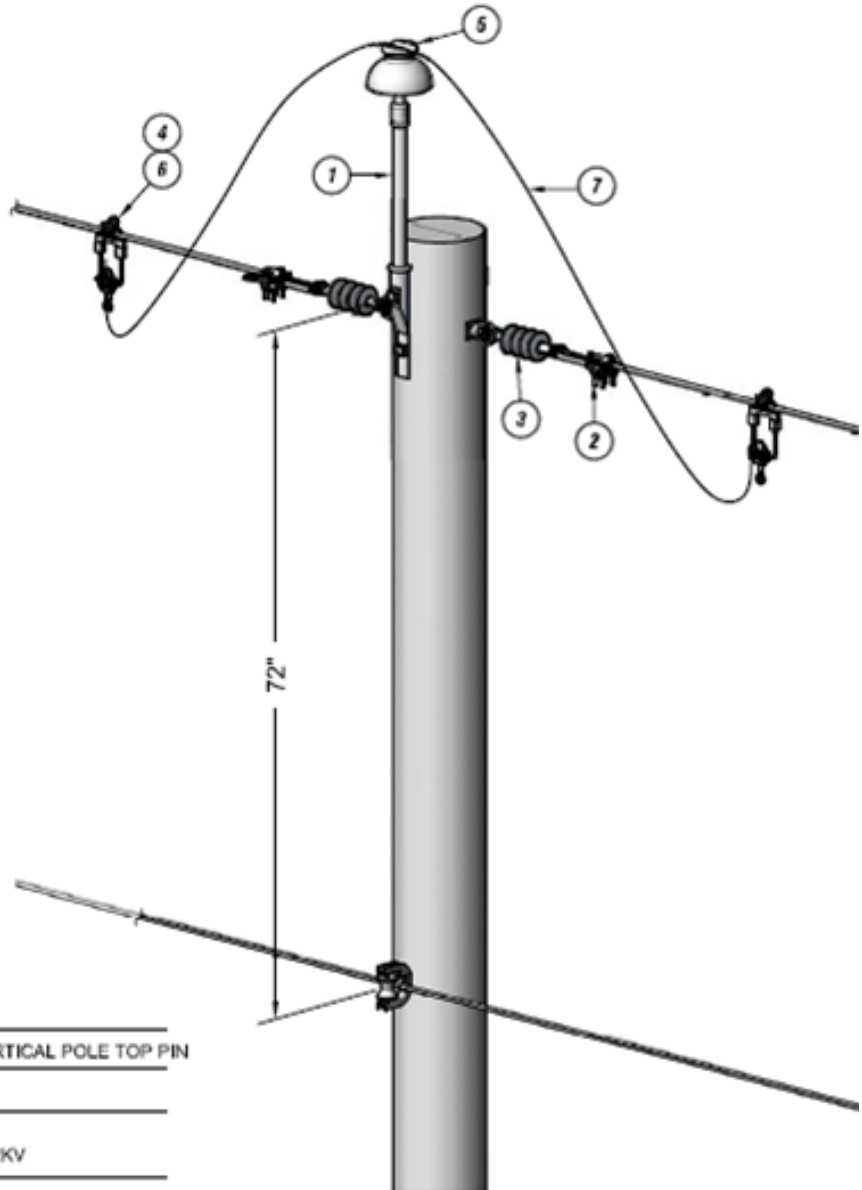
The 18th Annual

Florida Lineman Competition

Apprentice Events



Double Dead-end Multiskirt Changeout



REF. #	MANUF.	DESCRIPTION
1	MACLEAN	BRKT FIBERGLASS VERTICAL POLE TOP PIN
2	MACLEAN	DEADEND SHOE
3	K-LINE	INSUL SUSP CLEVIS & TONGUE PLASTIC 12KV
4	RELIABLE HUBBELL	CONN STIRRUP AL 6 TO 1/O AWG STR
5	CHANCE	INSUL. PIN TYPE 12KV PORCELAIN
6	CHANCE	HOT TAP MED.
7	NEHRING SOUTHWIRE	JUMPER WIRE SOLID #8 CU



The 18th Annual Florida Lineman Competition

Apprentice Events



Hurtman Rescue

Chief Judge: Chris Henry, Ocala Electric Utility

Mean Time: 4 minutes

Drop Dead Time: 6 minutes

Event Summary:

This event will be simulated dead. Time starts at the judge's signal with apprentice standing at least an arm's length from pole in any direction.

Note: The lineman's belt, hooks and rubber gloves in bag will be lying on the ground at arm's length from the pole. (You may tool up bare handed).

Event Specifications:

1. Looking at the pole from the 8' cross arm side, the hand line will be hung on the right side simulating an injury to a right-handed person. The hurt man will hang on the cross arm side of the pole with both ends of the safety straps through the braces. The Neutral will be on the opposite side of the pole where the hand line will be hung. Note: The "OX Block" will be utilized with a minimum of one full wrap or two clicks on the fiction bar. The OX Block will be attached to the arm just outside of the cross arm brace.
2. Mannequin should be tied under arms with three half hitches. Note: (eye splice should not be used as part of the hitches). The half hitch is the only acceptable knot. A 4" conduit will be used to measure tightness of knot.
3. Be sure to call out "headache" loudly when you drop out the split hand line.
4. A Bashlin belt 57-N will be used on the mannequin. You must cut the Bashlin 57-A insert. There will be a 10-point deduction for cutting the belt in the wrong place.
5. Mannequin must be lowered smoothly to the ground without coming into contact with the pole.
6. Time will stop when the mannequin is on the ground and there is slack in the hand line. Note: There must be one gaff in the pole at all times when climbing down the pole and proper belt adjustment maintained as you will be judged until you leave the event.
7. The mean time for this event is 4 minutes. The drop dead time is 6 minutes.
8. The apprentice must use the hand-line provided.
9. Rubber gloves will be required for this event. Gloves must be worn ground to ground.
10. Deductions will be subtracted from 100, resulting in the final score.



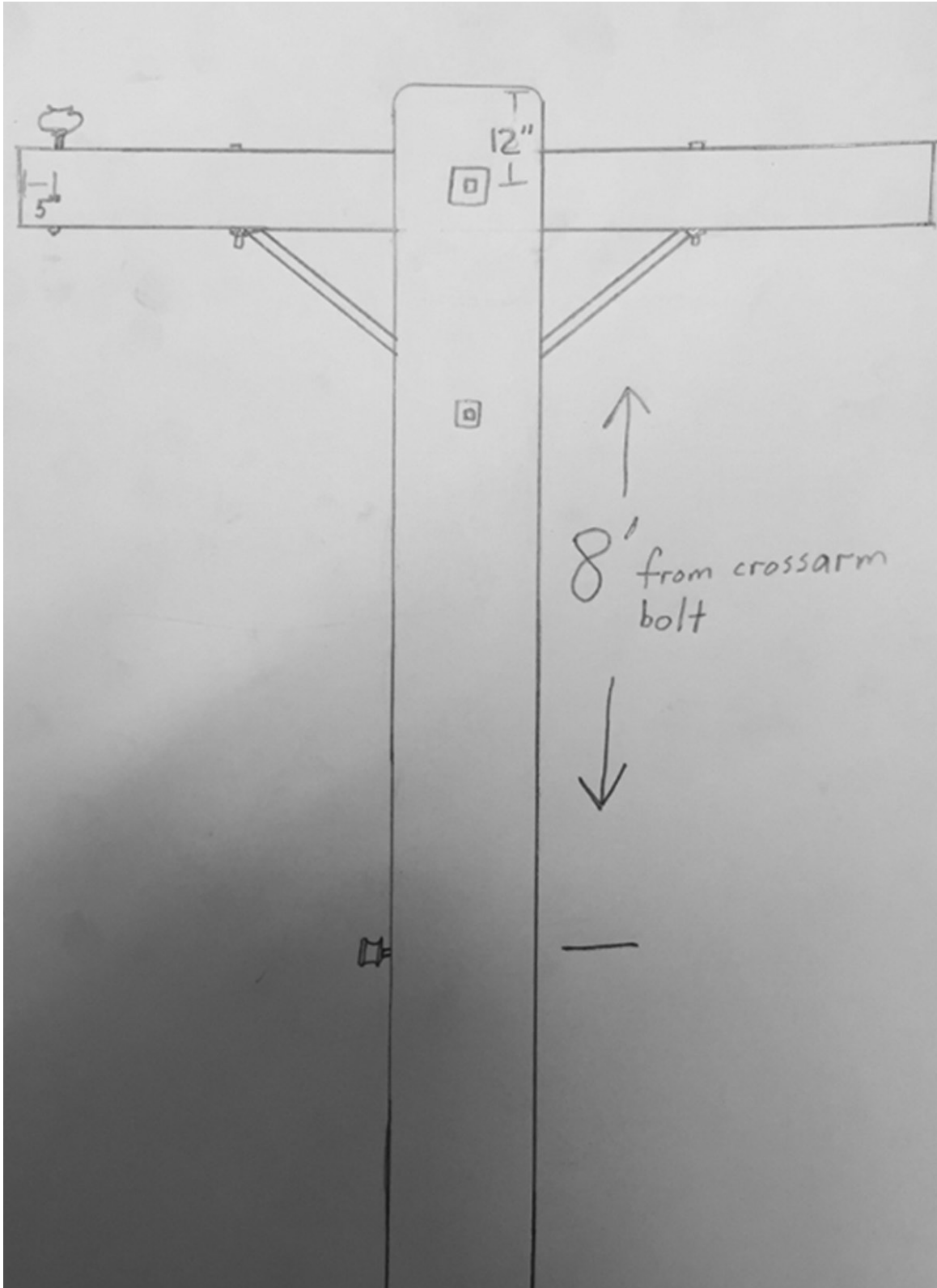
The 18th Annual

Florida Lineman Competition

Apprentice Events



Hurtman Rescue





The 18th Annual Florida Lineman Competition

Apprentice Events



Jumper Replacement

Chief Judge: Nick Rector, Ocala Electric Utility

Mean Time: 6 minutes

Drop Dead Time: 8 minutes

Event Summary:

Apprentice must make up and install new jumper with pin and insulator. The jumper (#2 insulated aluminum) will be connected to the phase using 2 parallel groove connectors. The #2 wire will be double dead ended on an 8' fiber glass arm. All connections must be brushed before being made. The jumpers will be tied (#4 insulated tie wire) on the ground and inspected by the judge before being installed. Existing jumper, pin and insulator must be removed and the new one installed in its place. Time will start on the judge's signal and will stop after the first foot is back on the ground.

Event Specifications:

1. Apprentice will have a 5 minutes setup time.
2. Material maybe laid out but not put together (this includes rolling up tie wires) in setup time.
3. All conductors must be brushed prior to connection.
4. All work on the ground will be performed in leather gloves.
5. All work on the pole will be performed in class 2 rubber glove.
6. Example of tie can be found in the twelfth edition of Lineman and Cableman handbook on page 508 figure 22.31



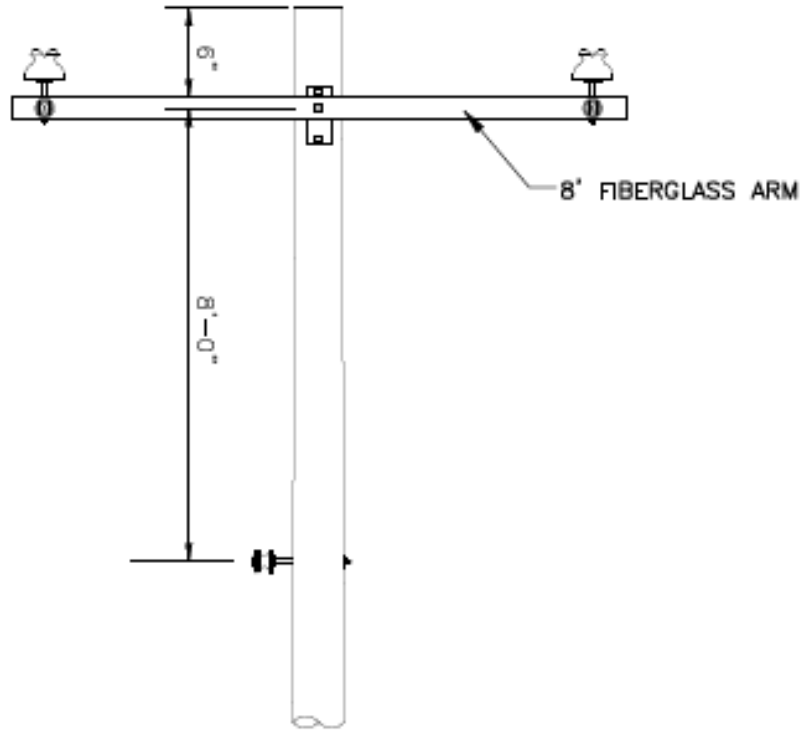
The 18th Annual

Florida Lineman Competition

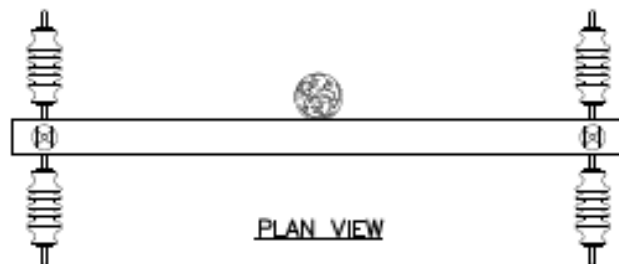
Apprentice Events



Jumper Replacement



FRONT VIEW



PLAN VIEW



The 18th Annual

Florida Lineman Competition

Apprentice Events



Apprentice Mystery Event

Chief Judge: Sam Holt, City of Tallahassee

Mean Time: ? minutes

Drop Dead Time: ? minutes

Event Summary:

Event details and specifications will be given to all competitors after registration, Friday March 9.



The 18th Annual

Florida Lineman Competition

Apprentice Events



Apprentice Mystery Event



The 18th Annual Florida Lineman Competition

Apprentice Events



Phase Clip In

Chief Judge: Nick Short, Lakeland Electric

Mean Time: 5 minutes

Drop Dead Time: 8 minutes

Event Summary:

Apprentice will Climb a 40-ft. pole and put the handline in service on the pole or on the 8-ft. light crossarm before work begins. One phase of the two-phase line will be tied in with a #4 aluminum tie wire on a C-neck pin type insulator. The other phase will be in a traveler on an eye-nut mounted to the bottom of the opposite pierce pin below the crossarm. The phase must be removed from the traveler and tied in on the pierce pin. The traveler and eye-nut must be re-located to the opposite pierce pin. The eye-nut must be fully threaded onto the pin. That phase must be un-tied and placed in the traveler. The new tie wire may be carried up in a ditty bag and the old one must be carried down in one as well.

Event Specifications:

1. Apprentice will have a five-minute set-up time before event starts.
2. Tie wire may be made up during set-up time.
3. Time starts at judge's signal with fall arrest detached from the pole.
4. Handline must be attached to the pole or arm before work begins.
5. Handline must be railroaded before climbing down.
6. Time stops when both feet are on the ground.
7. Fall arrest must remain on the pole for inspection.
8. Handline must be made up before leaving the event area.

- 1- 7" Sherman & Reilly XS-100 traveler
- 1- Light wood crossarm w/steel strap braces
- 2- C-neck pin type insulators
- 2- pierce pins
- 1- 5/8" eye nut
- Neutral will be mounted as shown, 6-ft. from through bolt in arm

Materials provided:

- #4 Al. Tie Wire- 6ft. long
- Top Tie will be according to the 10th Edition of the Lineman's Handbook Section 22.51

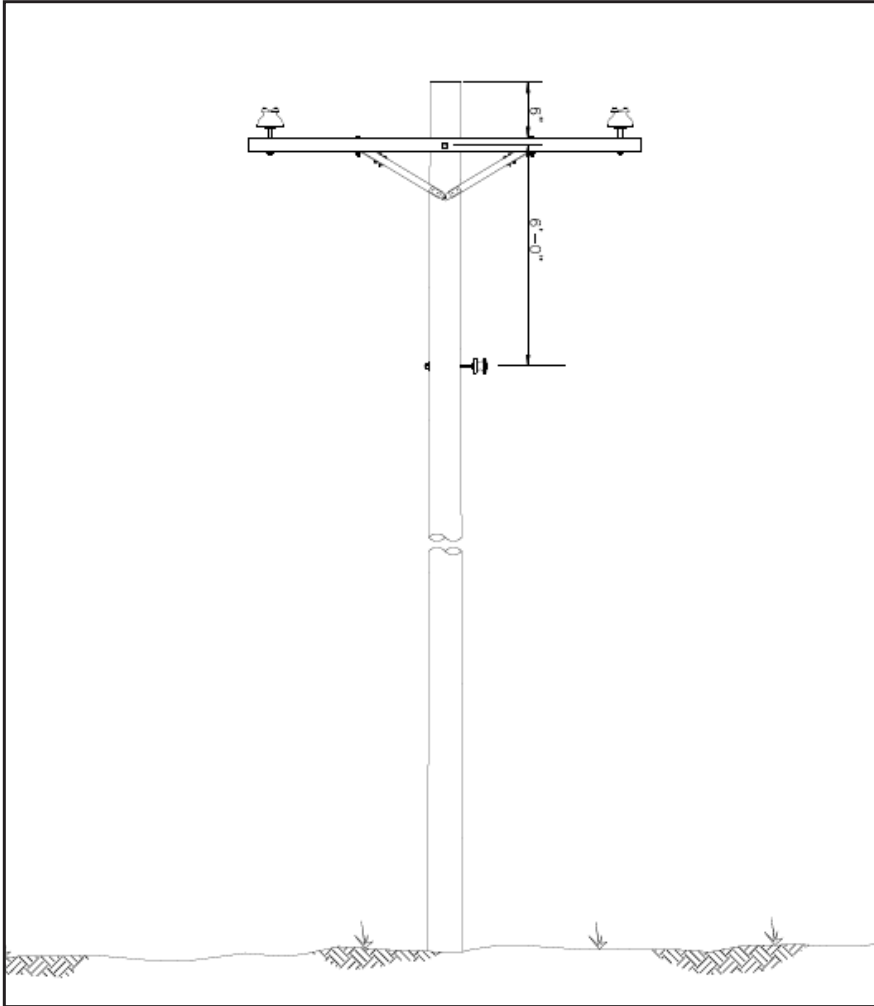


The 18th Annual Florida Lineman Competition

Apprentice Events



Phase Clip In





The 18th Annual

Florida Lineman Competition

Apprentice Events



Written Test

Chief Judge: David Sparks, Gainesville Regional Utilities

Mean Time: 30 minutes

Drop Dead Time: 36 minutes

Event Specifications:

1. The written test will take place Friday afternoon at 4:00 PM.
2. There will be fifty questions worth 2 points each.
3. The questions will come from the 16th Edition of the APPA SAFETY MANUAL:
 - Definitions
 - Section 114: Cardiopulmonary Resuscitation (CPR), First Aid, and Automated External Defibrillators (AEDs)
 - Section 503.1 – 503.7: Vehicle Operations
 - Section 506: Tools and Equipment
 - Section 507: Overhead Distribution and Transmission
 - Section 509: Underground Lines and Equipment
4. This will not be an open book test.
5. No notes, cell phones or other electronic devices will be allowed.
6. You will be able to find out your score on Saturday after completing your events.
7. Your test score will not be averaged in with the events on Saturday, however;

The top five written test scores will be awarded as follows.

- 1st place will be awarded five points toward their overall score on Saturday.
- 2nd place will be awarded four points toward their overall score for Saturday.
- 3rd place will be awarded three points toward their overall score for Saturday.
- 4th place will be awarded two points toward their overall score for Saturday.
- 5th place will be awarded one point toward their overall score for Saturday.

NOTE: If the apprentices' utility does not currently use the APPA Safety Manual, copies may be purchased by contacting APPA's publications department at (202) 467-2926 or by visiting APPA's Product Store at www.PublicPower.org/Store.