



The 18th Annual Florida Lineman Competition

Apprentice Events



Jumper Replacement

Chief Judge: Nick Rector, Ocala Electric Utility

Mean Time: 6 minutes

Drop Dead Time: 8 minutes

Event Summary:

Apprentice must make up and install new jumper with pin and insulator. The jumper (#2 insulated aluminum) will be connected to the phase using 2 parallel groove connectors. The #2 wire will be double dead ended on an 8' fiber glass arm. All connections must be brushed before being made. The jumpers will be tied (#4 insulated tie wire) on the ground and inspected by the judge before being installed. Existing jumper, pin and insulator must be removed and the new one installed in its place. Time will start on the judge's signal and will stop after the first foot is back on the ground.

Event Specifications:

1. Apprentice will have a 5 minutes setup time.
2. Material maybe laid out but not put together (this includes rolling up tie wires) in setup time.
3. All conductors must be brushed prior to connection.
4. All work on the ground will be performed in leather gloves.
5. All work on the pole will be performed in class 2 rubber glove.
6. Example of tie can be found in the twelfth edition of Lineman and Cableman handbook on page 508 figure 22.31

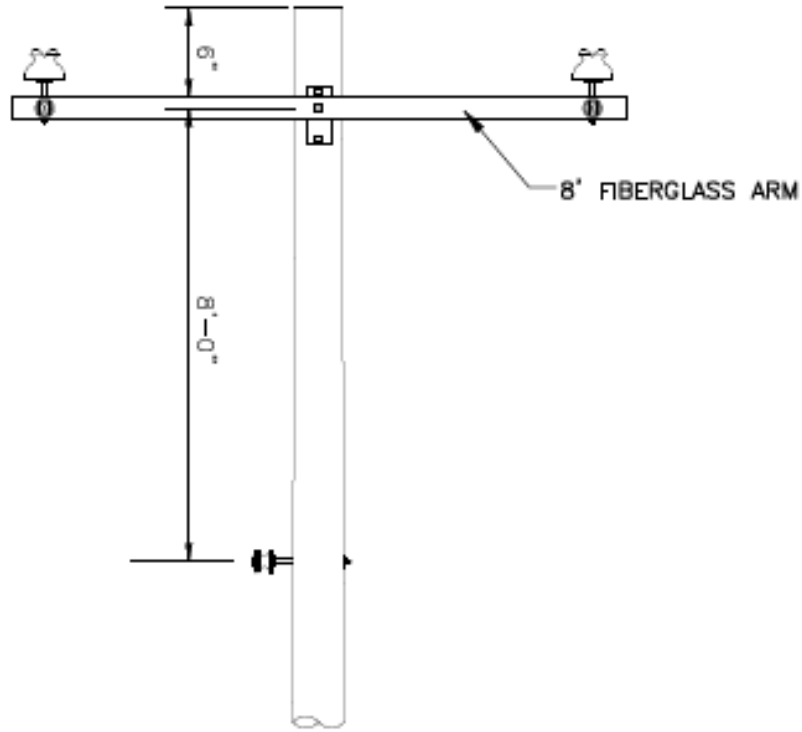


The 18th Annual Florida Lineman Competition

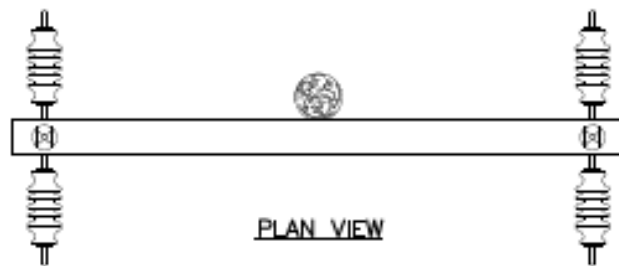
Apprentice Events



Jumper Replacement



FRONT VIEW



PLAN VIEW