



The 18th Annual Florida Lineman Competition

Apprentice Events



Double Dead-end Multiskirt Changeout

Chief Judge: Leonard Holton, JEA

Mean Time: 8 minutes

Drop Dead Time: 12 minutes

Event Summary:

This is a dead and grounded event. The construction Spec will be single-phase straight-line double dead-end. There will be a jumper across the top of the pole, tied in on the pole top pin. The Apprentice will change out both multiskirts.

Event Specifications:

1. The line will be #2 Alum. and a #4 Copper jumper.
2. Web hoist with grip/grips must be used (strap cannot be put in a position that could damage it).
3. The apprentice will have a 5-minute set up time. In this time the apprentice can prepare materials and ask any questions.
4. Apprentice is required to bring and use their own handline, hoist, nose bag and tools. No straight lines will be allowed.
5. All material will go up and down in a nose bag.
6. Time starts at the judge's signal.
7. Apprentice is required to transition over the neutral.
8. Time stops when the apprentice has both feet on the ground.
9. After time has stopped, fall protection will be checked before the apprentice unbuckles from the pole.
10. All PPE must be worn when you are at the event station.



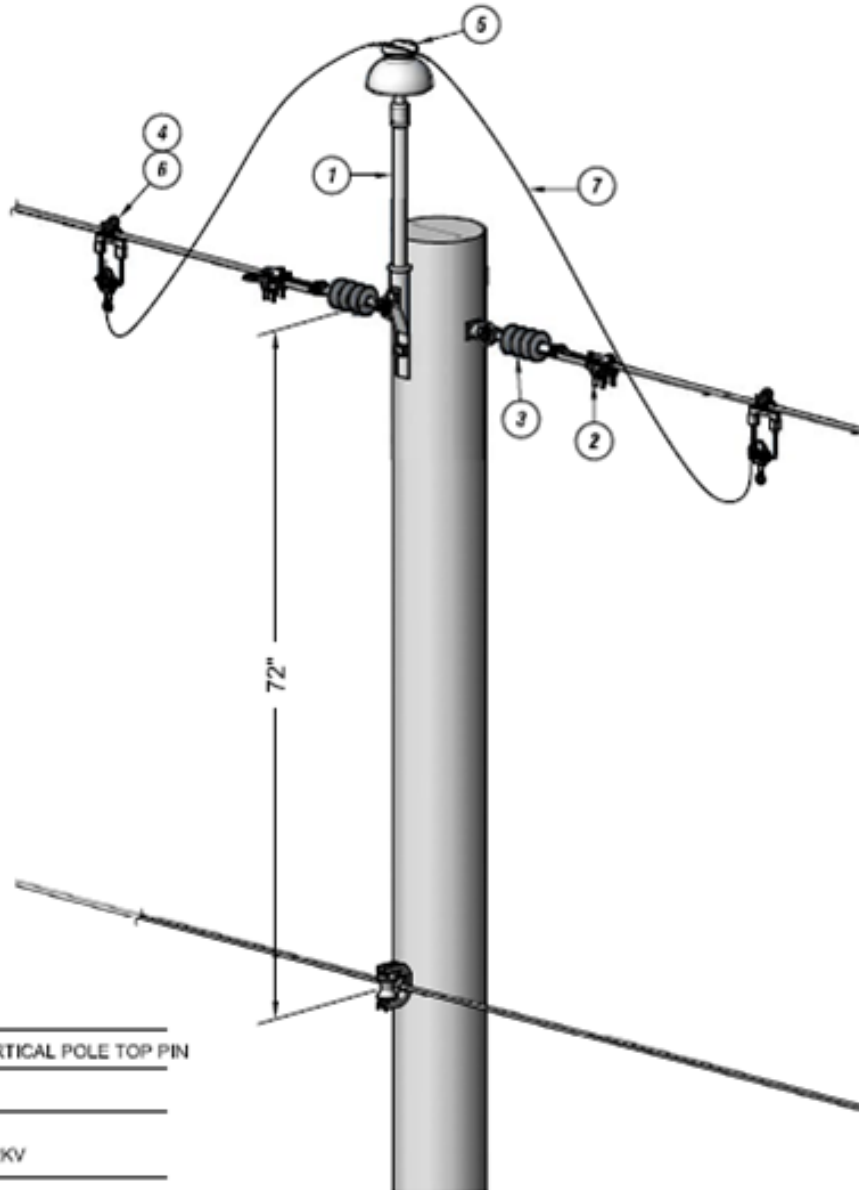
The 18th Annual

Florida Lineman Competition

Apprentice Events



Double Dead-end Multiskirt Changeout



REF. #	MANUF.	DESCRIPTION
1	MACLEAN	BRKT FIBERGLASS VERTICAL POLE TOP PIN
2	MACLEAN	DEADEND SHOE
3	K-LINE	INSUL SUSP CLEVIS & TONGUE PLASTIC 12KV
4	RELIABLE HUBBELL	CONN STIRRUP AL 6 TO 1/0 AWG STR
5	CHANCE	INSUL. PIN TYPE 12KV PORCELAIN
6	CHANCE	HOT TAP MED.
7	NEHRING SOUTHWIRE	JUMPER WIRE SOLID #8 CU